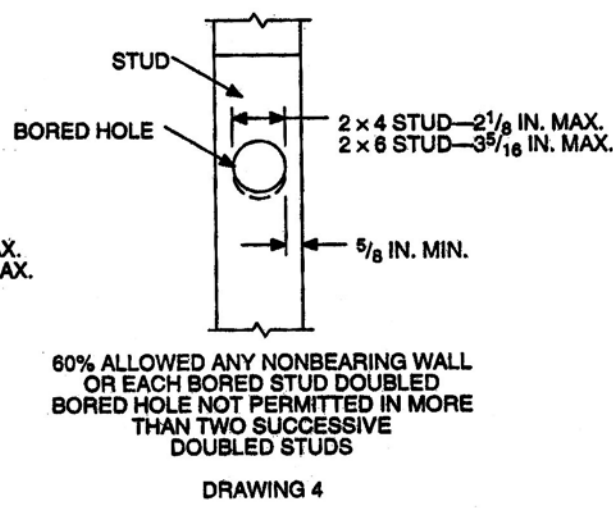
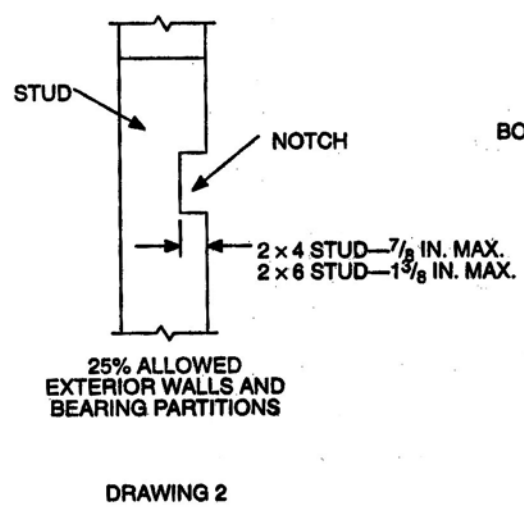
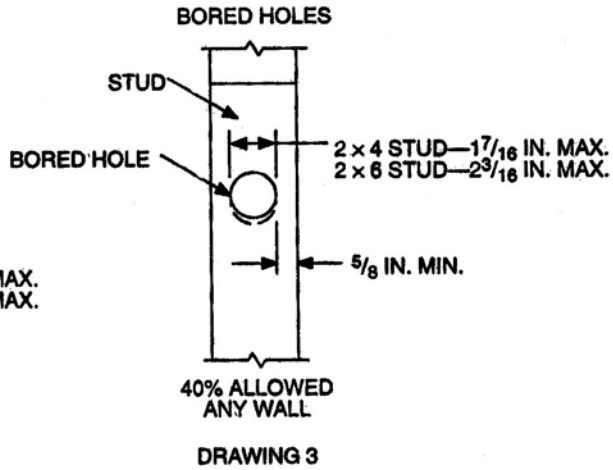
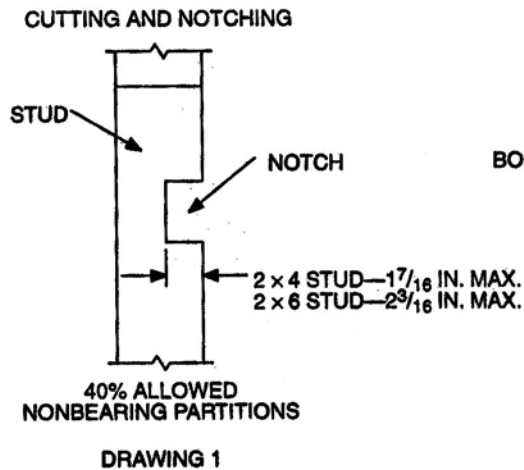


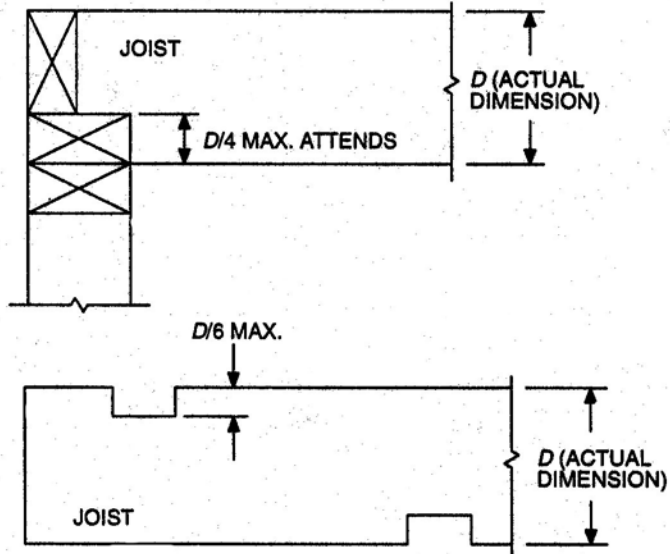
CUTTING NOTCHING & BORING OF STUDS



For SI: 1 inch = 25.4 mm.

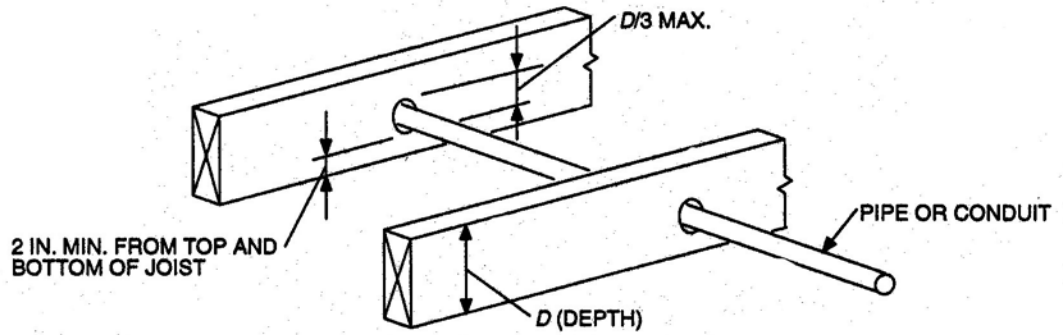
**MAXIMUM ALLOWED NOTCHING AND DRILLING FOR NORMAL
CONSTRUCTION WITH 2 BY 4 STUD**

FIGURE 2320-23



NOTE: Notching not permitted in middle of $\frac{1}{3}$ of span

CUTTING AND NOTCHING LIMITATIONS



For SI: 1 inch = 5.4 mm.

BORED HOLES IN JOISTS

NOTCHING AND BORING LIMITATIONS—FLOOR JOISTS

FIGURE 2320-5